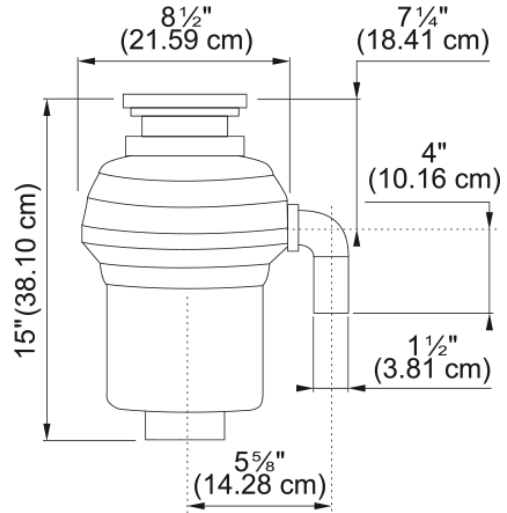


# 1/2 HP Food Waste Disposer - KWD50C1-EZ | 134.0262.596



## Technical Data

### Aspect

Product type Food waste disposer

### Energy specifications

Voltage 110 V

### Product identification

Product brand Kindred

Collection Disposer

### Features

Horsepower 1/2 HP